

MUSIC HORN SPEAKER

- 30W 100V LOUDSPEAKER
- HIGH SOUND PRESSURE LEVEL
- U-BRACKET MOUNTING
- ROBUST ABS PLASTIC HOUSING
- WEATHERPROOF TO IP66
- VERY GOOD SOUND QUALITY



OVERVIEW

The SPHM-30W is a 30W 100V two-way music horn loudspeaker which gives a high sound pressure level for internal and external applications. The SPHM-30W has a well balanced frequency range, and provides very good speech and background music quality. The speaker is fitted with a 100V transformer which has four power adjustment tappings of 30W, 15W, 7.5W and 3.75W.

The SPHM-30W has a robust impact resistant ABS housing, which is sealed to the IP66 environmental standard. Thus the speaker is sealed against the ingress of dust, and is sealed against high pressure water jets. The speaker is coloured to match RAL7035 'Light Grey'.

Mounting of the speaker is provided using a stainless-steel 'U' bracket, which provides a number of flexible mounting options. The 100V loudspeaker line cabling is connected by means of a sturdy 6-pin screw terminal. There is also a strap-on mast bracket available as an accessory. The mast bracket is suitable for use with masts of up to 200mm diameter.

This loudspeaker is optionally available with a DC blocking capacitor fitted, in order to provide compatibility with DC loudspeaker line monitoring systems. The part number for this DC monitoring compatible version is SPHM-30W-DC.

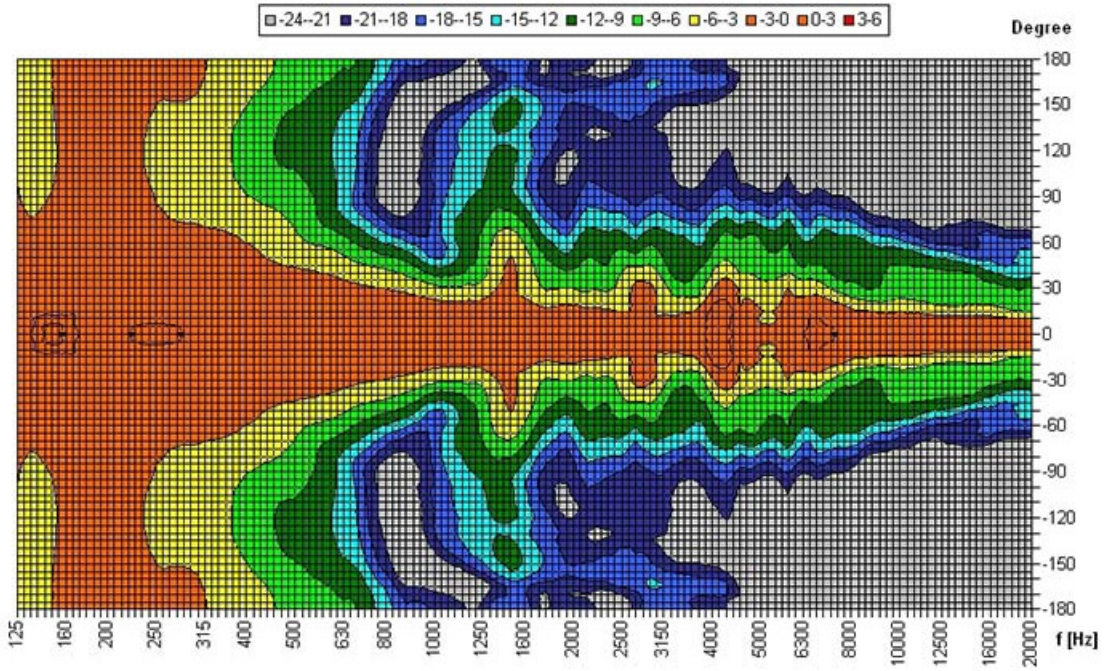
EASE data is available for this speaker on request.

TECHNICAL DATA

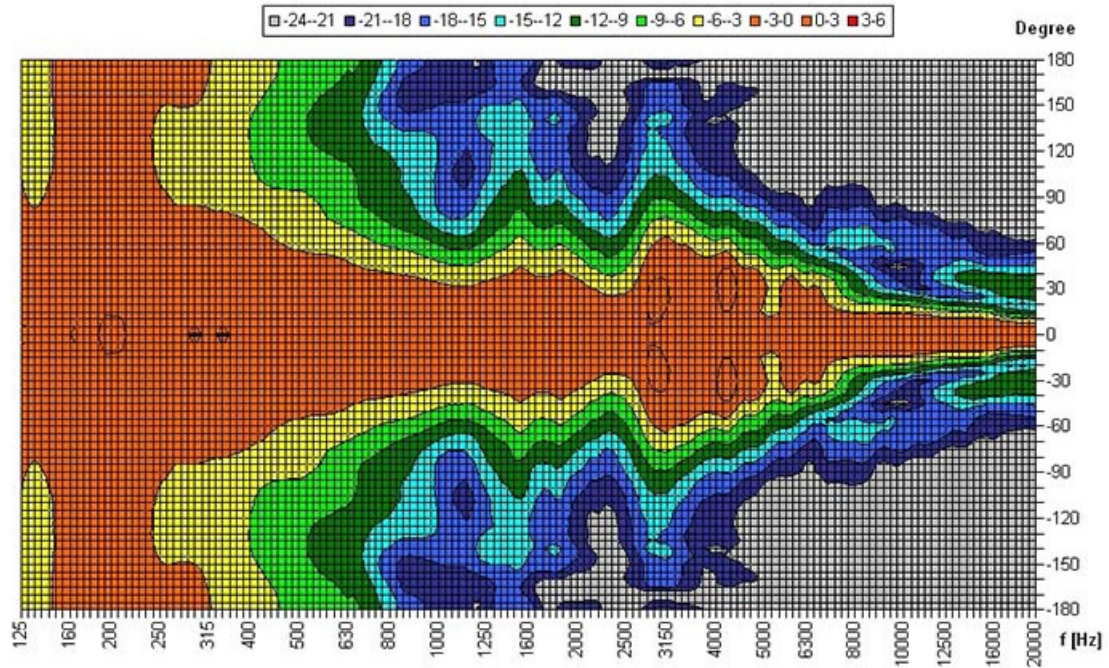
Power Tappings	30W / 15W / 7.5W / 3.75W
Frequency Range	237— 21,100 Hz
Frequency Response	65 — 24,000 Hz
SPL 1W / 1m, peak	101.8dB
SPL Pmax / 1m, peak	116.6 dB
Sensitivity 1W / 1m	100.1 dB
Dispersion (-10dB)	130° (horizontal) 80° (vertical)
Temperature range	-20 / +90 °C
Dimensions	370 x 255 x 291 mm
Weight (net)	4.50 kg
Colour	RAL7035 'Light Grey'
Connector	6-pin screw terminal
Mounting	'U' Universal mounting bracket
IP Rating	IP66
Packing Unit	4

POLAR DIAGRAM

Horizontal Isobars

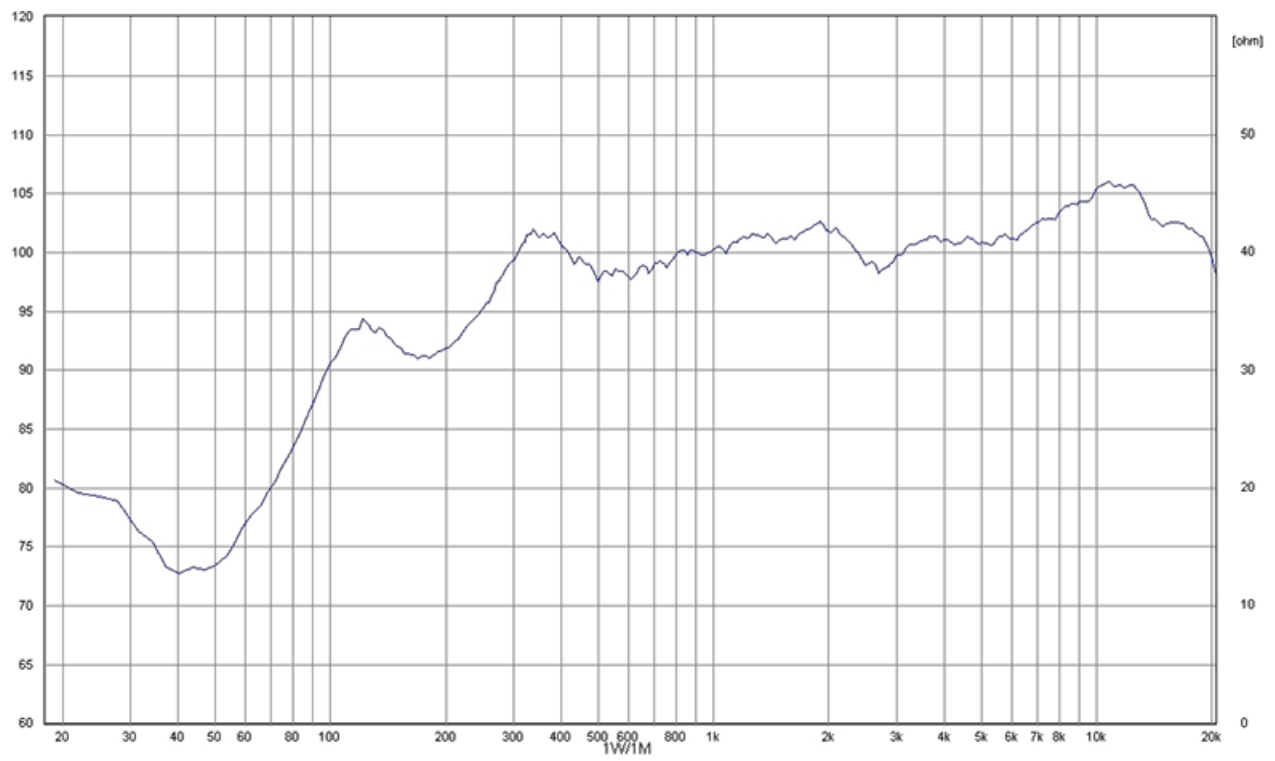


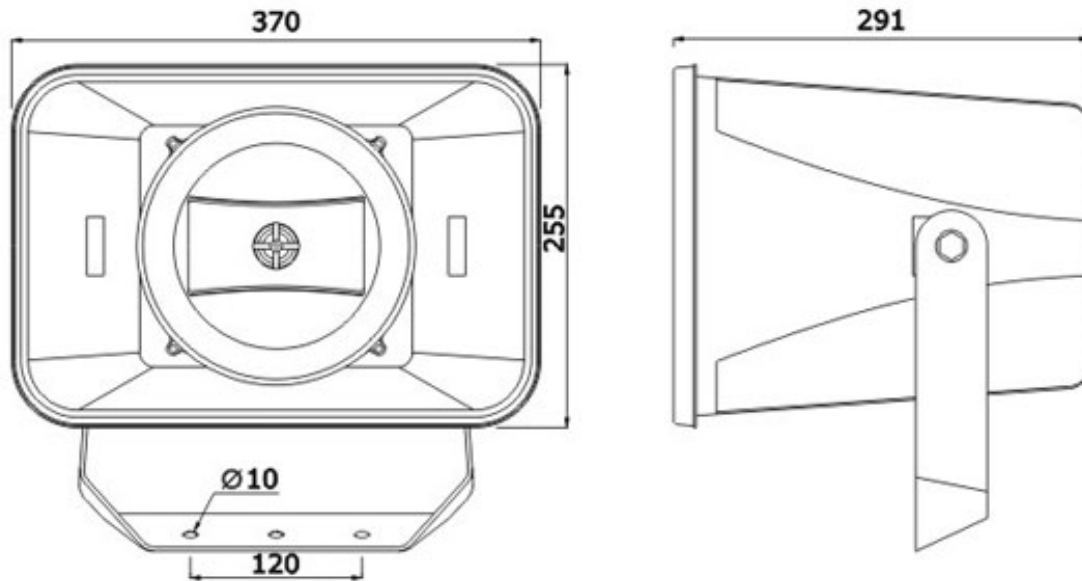
Vertical Isobars



Parameters: Cyclic Move: 0° ; Symmetry: average sym ; Freq.Smooth: 1/3 Oct ; Ang.Resol.: 5° ; Rel. to: 0° Axis 0°

FREQUENCY RESPONSE DIAGRAM



DIMENSIONAL DIAGRAM

Measurements according to DIN EC 268-5

RoHS complaint (2011/65/EU)



This equipment is designed and manufactured to conform to the following EC standards:

EMC: EN55103-1/E1, EN55103-2/E5, EN50121-4, ENV50204

Safety: EN60065

Manufacturer

Application Solutions (Safety and Security) Limited

Unit 17 - Cliffe Industrial Estate - Lewes - East Sussex - BN8 6JL - U.K.

Tel: +44(0)1273 405411

www.asl-control.co.uk

All rights reserved.

Information contained in this document is believed to be accurate, however no representation or warranty is given and Application Solutions (Safety and Security) Limited assumes no liability with respect to the accuracy of such information.

