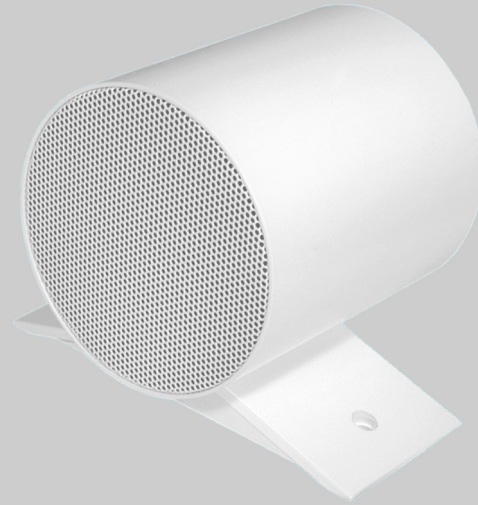


EN54 SOUND PROJECTOR SPEAKER

- 10W 100V LOUDSPEAKER
- SIZE 5" (130MM)
- VANDAL-RESISTANT MOUNTING
- ALUMINIUM HOUSING
- WEATHERPROOF TO IP65
- EXCELLENT SOUND QUALITY
- FULLY CERTIFIED TO EN54-24



OVERVIEW

The SPPB-10W-50-EN54 is a 10W 100V bidirectional sound projector loudspeaker which has two 5" (130mm) full-range chassis providing excellent sound quality with speech and background music, and which is certified to EN54-24. The speaker is fitted with a 100V transformer which has four power adjustment tapings of 10W, 6W, 3W, and 1.5W.

The SPPB-10W-50-EN54 has a robust powder coated aluminium housing, which is sealed to the IP65 environmental standard. Thus the speaker is sealed against the ingress of dust, and is sealed against water jets. As standard the speaker is coloured to match RAL9010 'Pure White', however the speakers can be supplied in any four-digit RAL or NCS colour, as a special order.

The speaker is provided with an integral mounting foot, and is particularly suitable for installation in corridors and hallways. The 100V loudspeaker line cabling is protected from vandalism, as it is inaccessible under the mounting foot when installed. The cabling is connected by means of a two pin-ceramic block, and for additional reliability a thermal fuse is provided and the speaker chassis is damp-resistant.

EASE data is available for this speaker on request.

TECHNICAL DATA

Power Tappings 10W / 6W / 3W / 1.5W

Frequency Range 237 – 12,400 Hz

Frequency Response 79 – 17,500 Hz

SPL 1W / 1m, peak 95.3 dB

SPL 1W / 4, peak 83.3 dB

SPL Pmax / 4m, peak 93.3 dB

Sensitivity 1W / 4m 75.6 dB

Dispersion (-6dB, 500Hz) 122°

Dispersion (-6dB, 1KHz) 149°

Dispersion (-6dB, 2KHz) 156°

Dispersion (-6dB, 4KHz) 63°

Temperature range -20 / +90 °C

Dimensions 166 x 197 x 161 mm

Weight (net) 2.35 kg

Colour RAL9010 'Pure White'

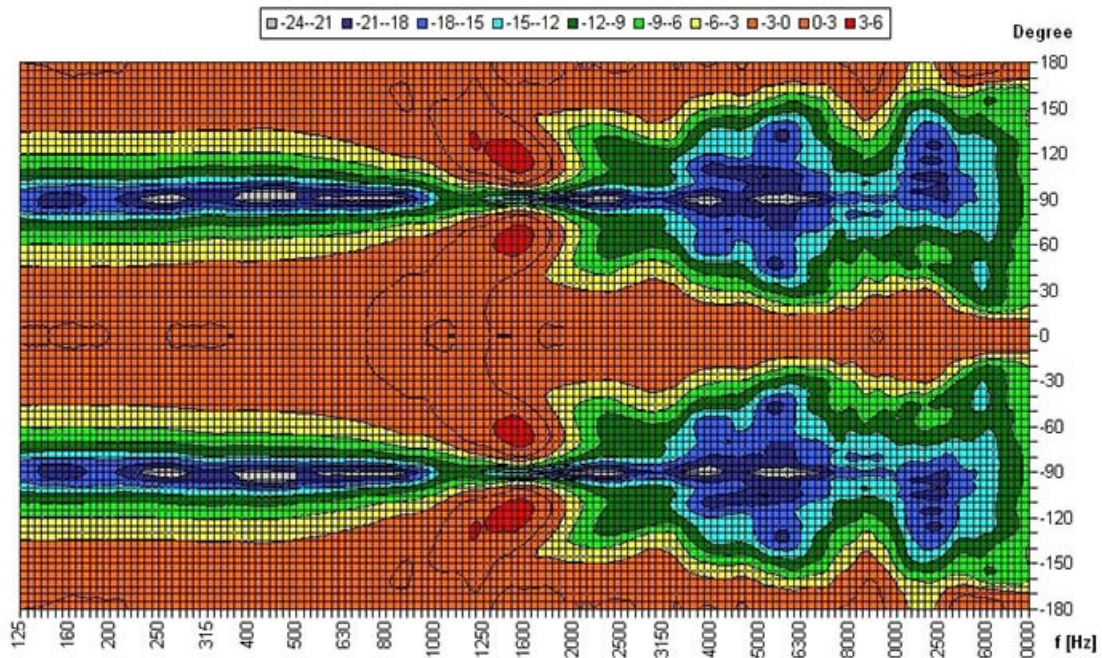
Connector 2-pin ceramic block

Mounting Screws

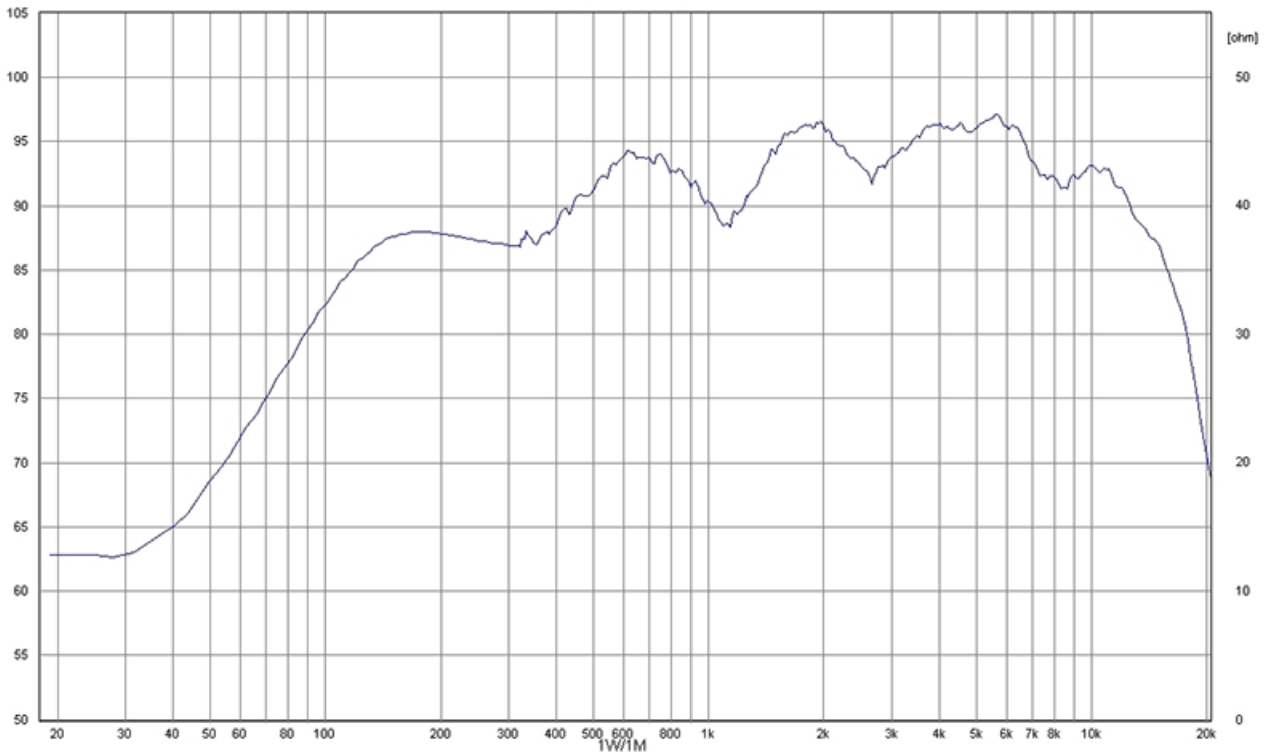
IP Rating IP65

Packing Unit 8

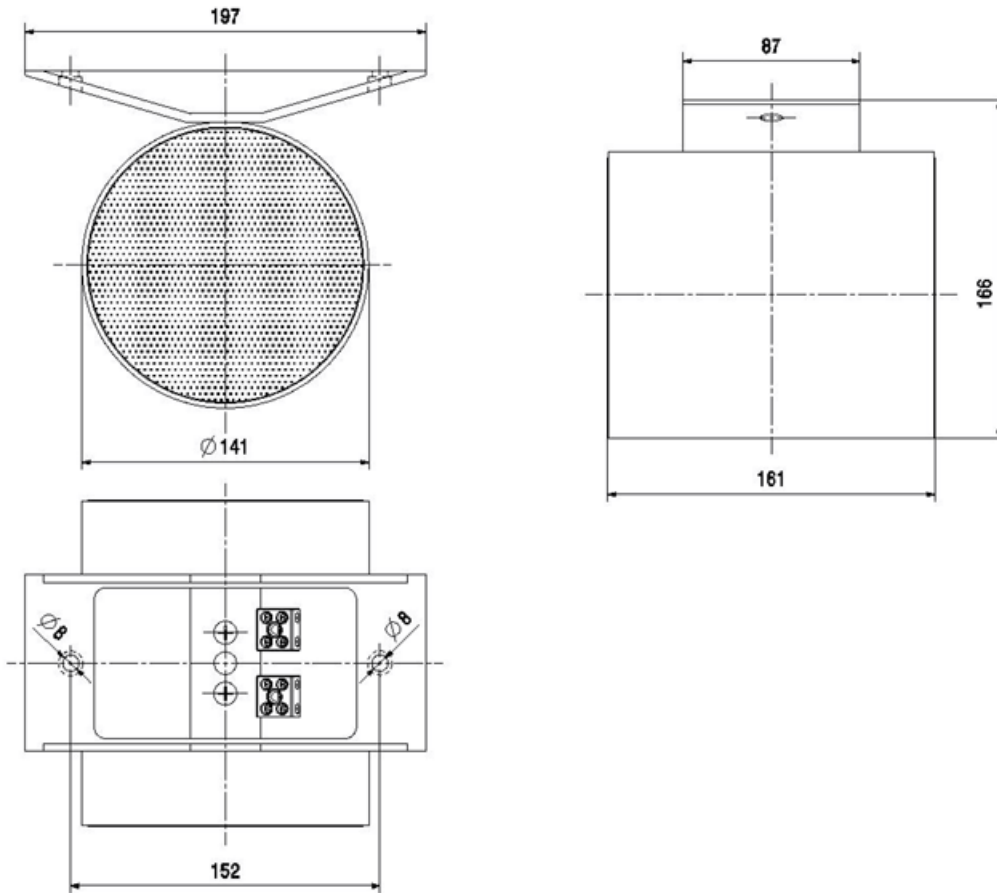
POLAR DIAGRAM



FREQUENCY RESPONSE DIAGRAM



DIMENSIONAL DIAGRAM



Measurements according to DIN IEC 268-5

RoHS complaint (2011/65/EU)

Made for:

Application Solutions (Safety and Security) Limited
 Unit 17 - Cliffe Industrial Estate - Lewes - East Sussex - BN8 6JL - U.K.
 Tel: +44(0)1273 405411

www.asl-control.co.uk



**Assessed to ISO 9001
 LPCB Cert No: C1043**

All rights reserved.

Information contained in this document is believed to be accurate, however no representation or warranty is given and Application Solutions (Safety and Security) Limited assumes no liability with respect to the accuracy of such information.