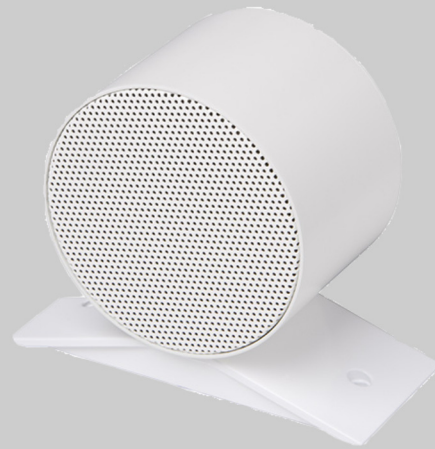


EN54 SOUND PROJECTOR SPEAKER

- 10W 100V SPEAKER
- SIZE 5.0" (130MM)
- VANDAL-RESISTANT MOUNTING
- ALUMINIUM HOUSING
- WEATHERPROOF TO IP65
- EXCELLENT SOUND QUALITY
- FULLY CERTIFIED TO EN54-24



OVERVIEW

The SPPR-10W-50-EN54 is a 10W 100V sound projector loudspeaker which has a single 5" (130mm) full-range chassis, providing excellent sound quality with speech and background music, and which is certified to EN54-24. The speaker is fitted with a 100V transformer which has four power adjustment tapings of 10W, 6W, 3W, and 1.5W.

The SPPR-10W-50-EN54 has a robust powder coated aluminium housing, which is sealed to the IP65 environmental standard. Thus the speaker is protected against the ingress of dust, and is sealed against water jets. As standard the speaker is coloured to match RAL9010 'Pure White', however the speakers can be supplied in any four-digit RAL or NCS colour, as a special order.

The speaker is provided with an integral mounting foot, and is particularly suitable for installation in corridors and hallways. The 100V loudspeaker line cabling is protected from vandalism, as it is inaccessible under the mounting foot when installed. The cabling is connected by means of a two pin-ceramic block, and for additional reliability a thermal fuse is provided and the speaker chassis is damp-resistant.

EASE data is available for this speaker on request.

TECHNICAL DATA

Power Tappings 10W / 6W / 3W / 1.5W

Frequency Range 200 – 22,200 Hz

Frequency Response 150 – 23,500 Hz

SPL 1W / 1m, peak 101.0 dB

SPL 1W / 4, peak 89.0 dB

SPL Pmax / 4m, peak 99.0 dB

Sensitivity 1W / 4m 78.9 dB

Dispersion (-6dB, 500Hz) 360°

Dispersion (-6dB, 1KHz) 360°

Dispersion (-6dB, 2KHz) 133°

Dispersion (-6dB, 4KHz) 52°

Temperature range -20 / +90 °C

Dimensions 166 x 197 x 108 mm

Weight (net) 1.90 kg

Colour RAL9010 'Pure White'

Connector 2-pin ceramic block

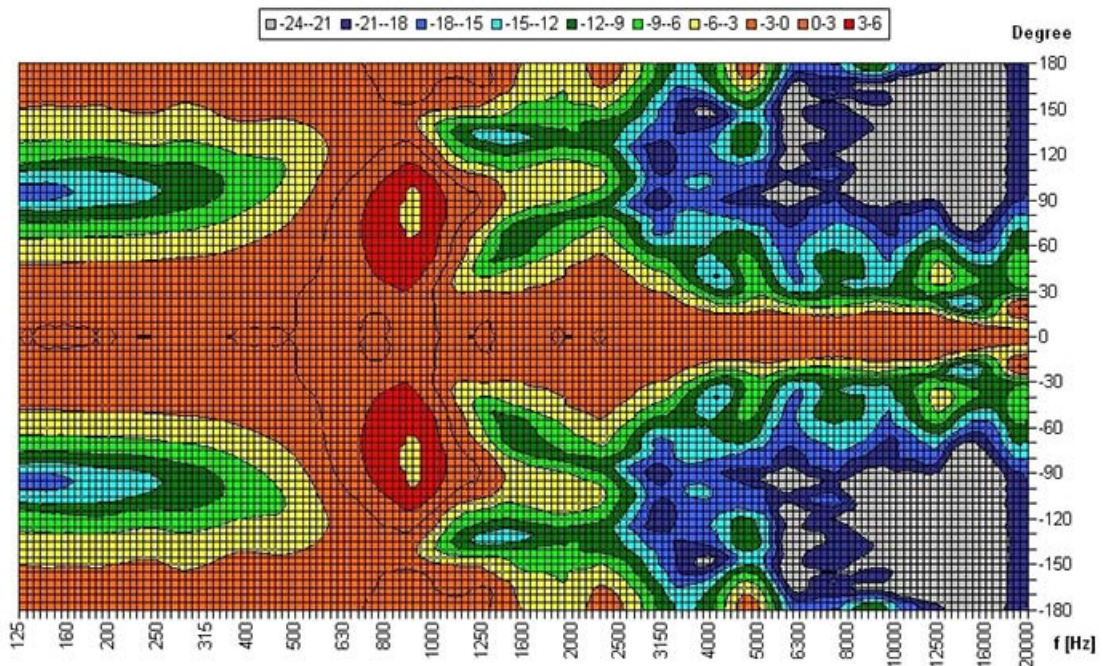
Mounting Screws

Maximum cable cross section 8mm²

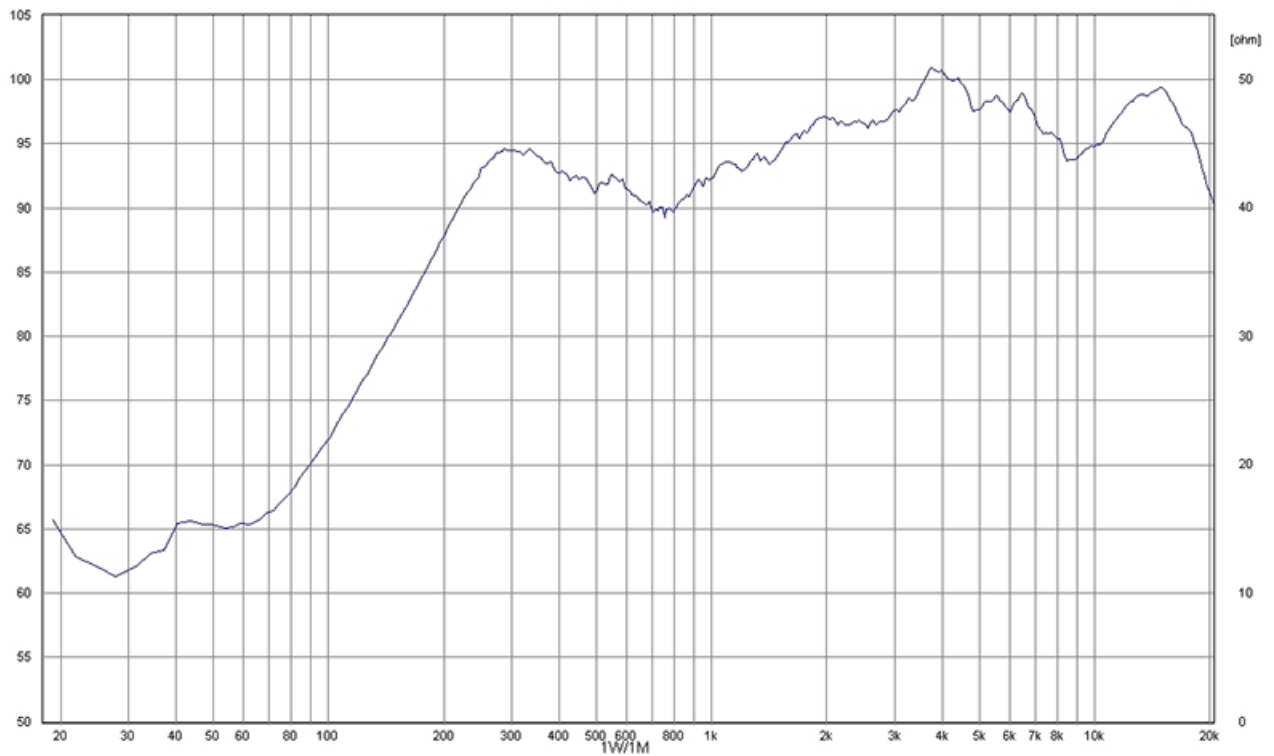
Maximum cable cross section loop 2 x 2mm²

IP Rating IP65

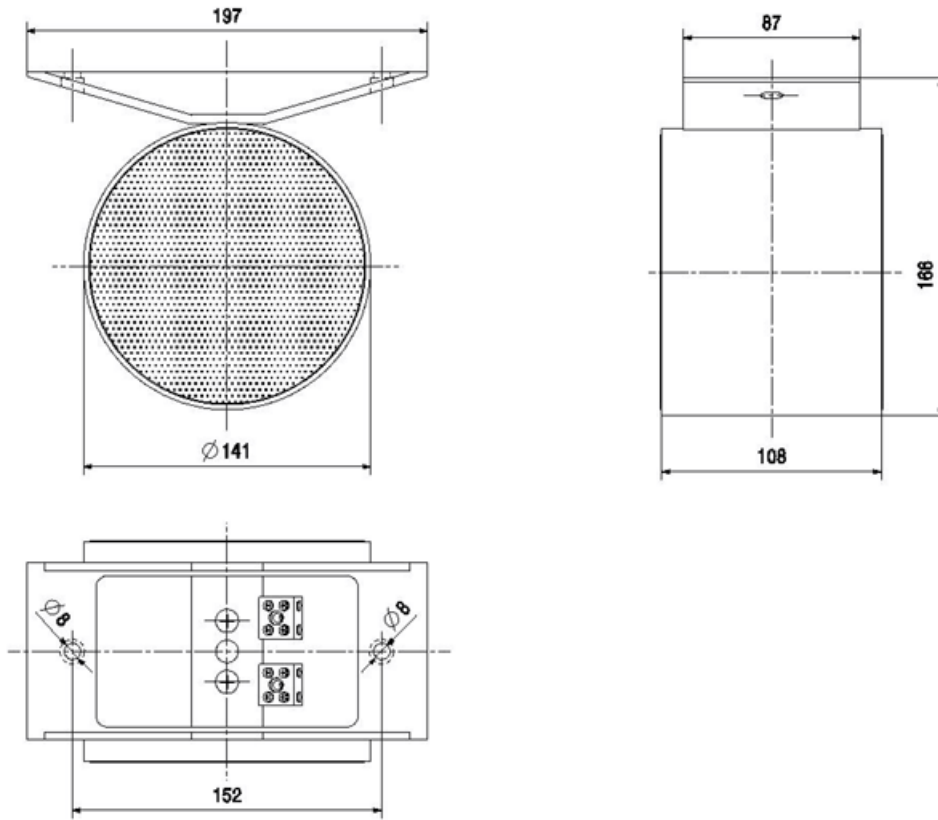
POLAR DIAGRAM



FREQUENCY RESPONSE DIAGRAM



DIMENSIONAL DIAGRAM



Measurements according to DIN IEC 268-5

RoHS complaint (2011/65/EU)

Made for:

Application Solutions (Safety and Security) Limited
 Unit 17 - Cliffe Industrial Estate - Lewes - East Sussex - BN8 6JL - U.K.
 Tel: +44(0)1273 405411

www.asl-control.co.uk



**Assessed to ISO 9001
 LPCB Cert No: C1043**

All rights reserved.

Information contained in this document is believed to be accurate, however no representation or warranty is given and Application Solutions (Safety and Security) Limited assumes no liability with respect to the accuracy of such information.