

SOUND PROJECTOR SPEAKER

- 20W 100V LOUDSPEAKER
- SIZE 5.0" (130MM)
- U-BRACKET MOUNTING
- ROBUST ABS PLASTIC HOUSING
- WEATHERPROOF TO IP56
- EXCELLENT SOUND QUALITY



OVERVIEW

The SPPR-P-20W-50 is a 20W 100V sound projector loudspeaker which has a 5" (130mm) full-range chassis providing excellent sound quality with speech and background music, and which is certified to EN54-24. The speaker is fitted with a 100V transformer which has four power adjustment tapings of 20W, 10W, 5W and 2.5W.

The SPPR-P-20W-50 has a robust impact resistant white ABS housing, which is sealed to the IP56 environmental standard. Thus the speaker is impervious to any objects of above 1mm diameter, is protected against the ingress of dust and is sealed against high pressure water jets.

Mounting of the speaker is provided using a steel 'U' bracket, which provides a number of flexible mounting options. The 100V loudspeaker line cabling is connected by means of a two-pin ceramic block, and for additional reliability a thermal fuse is provided and the speaker chassis is damp-resistant. There is also a strap-on mast bracket available as an accessory. The mast bracket is suitable for use with masts of up to 200mm diameter.

This loudspeaker is optionally available with a DC blocking capacitor fitted, in order to provide compatibility with DC loudspeaker line monitoring systems. The part number for this DC monitoring compatible version is SPPR-P-20W-50-DC.

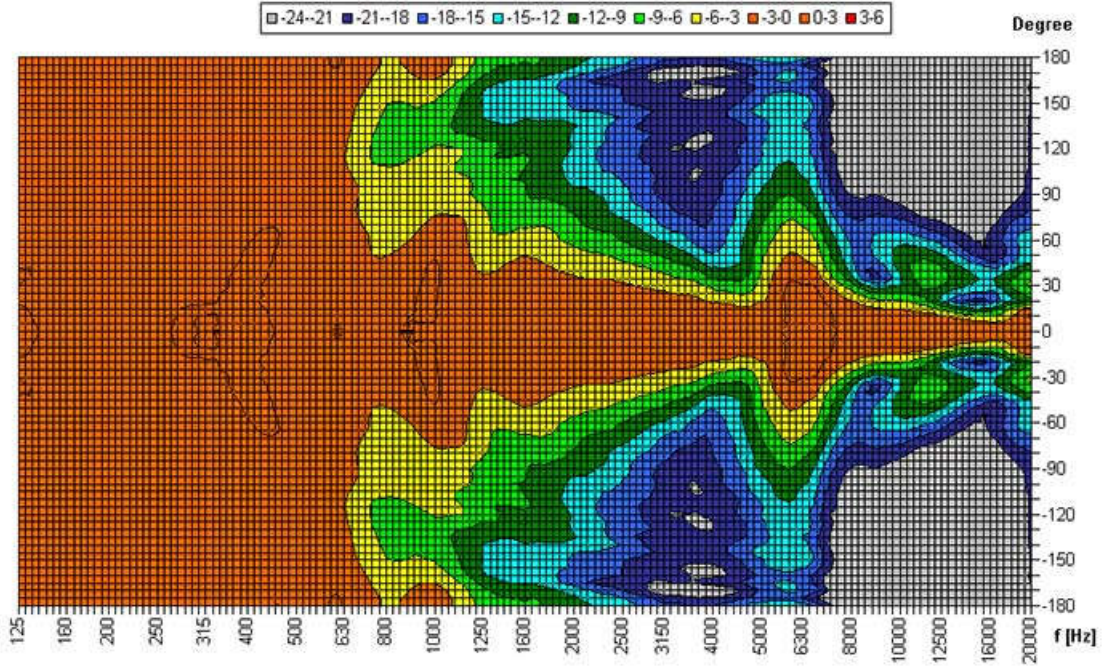
EASE data is available for this speaker on request.

TECHNICAL DATA

Power Tappings	20W / 10W / 5W / 2.5W
Frequency Range	150 – 20,000 Hz
Frequency Response	120 – 21,000 Hz
SPL 1W / 1m, peak	99.5 dB
SPL Pmax / 1m, peak	112.5 dB
Sensitivity 1W / 1m	91.5 dB
Dispersion (-10dB)	360° (horizontal) / 360° (vertical)
Temperature range	-20 / +90 °C
Dimensions	140 x 195 mm
Weight (net)	1.25 kg
Colour	White
Connector	5-pin cable
Mounting	'U' Mounting bracket
IP Rating	IP56
Accessories	SPA-MB-200 Mast mounting bracket
Packing Unit	8

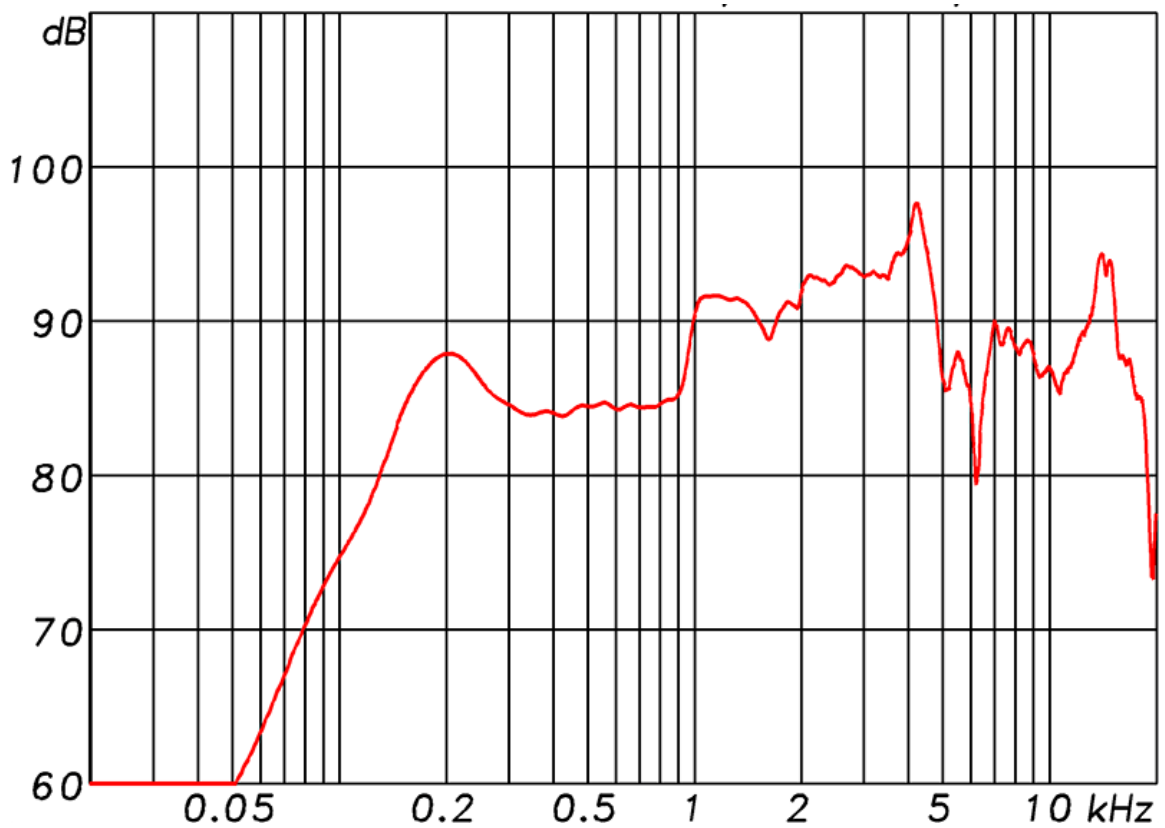
POLAR DIAGRAM

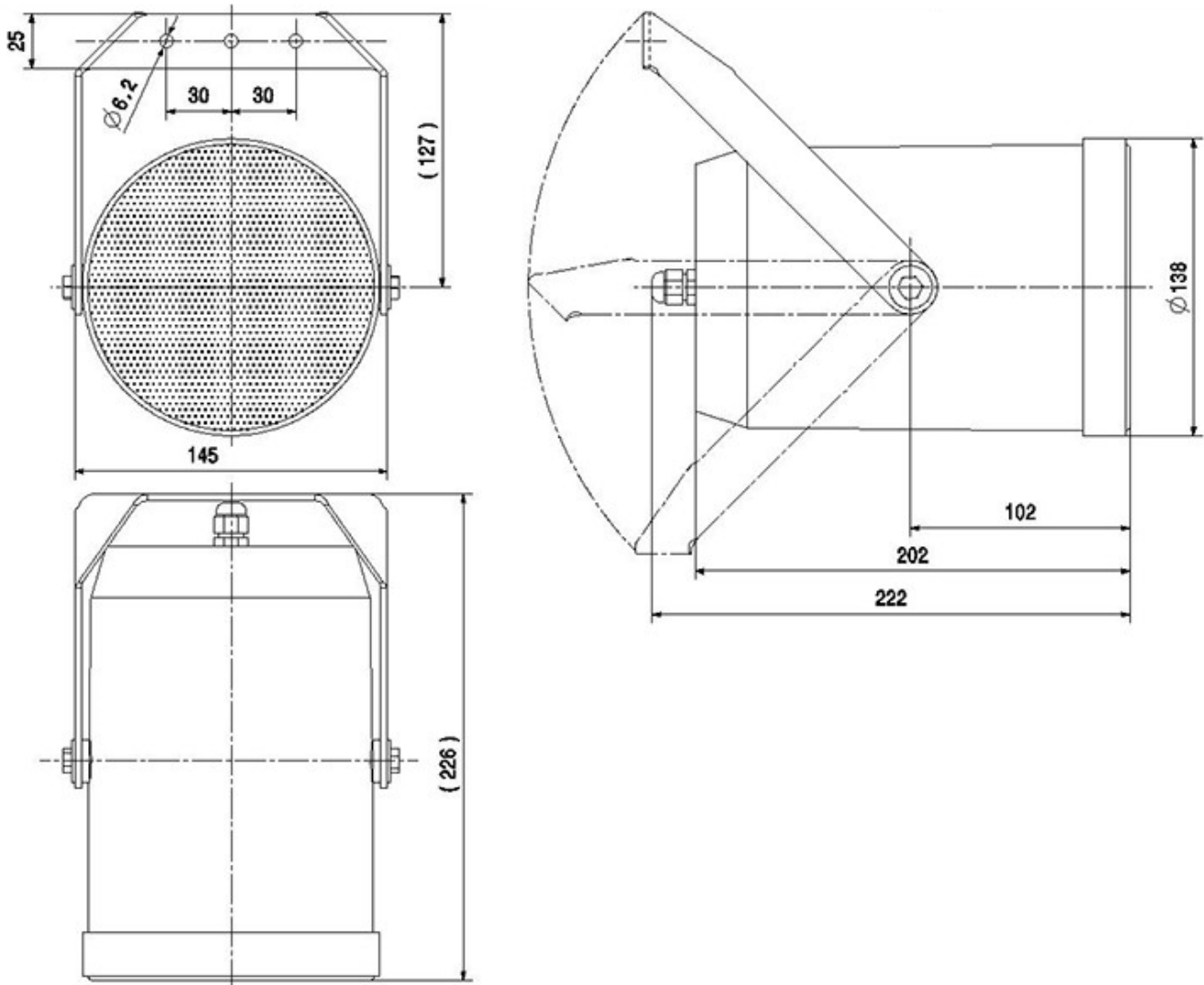
Horizontal Isobars of: ic audio DA-P 20-130T-EN54



Parameters: Cyclic Move: 0° ; Symmetry: average sym ; Freq Smooth: 1/3 Oct ; Ang.Resol.: 5° ; Rel. to: 0° Axis: 0°

FREQUENCY RESPONSE DIAGRAM



DIMENSIONAL DIAGRAM


Measurements according to DIN EC 268-5

RoHS complaint (2011/65/EU)



This equipment is designed and manufactured to conform to the following EC standards:

EMC: EN55103-1/E1, EN55103-2/E5, EN50121-4, ENV50204

Safety: EN60065

Manufacturer

Application Solutions (Safety and Security) Limited

Unit 17 - Cliffe Industrial Estate - Lewes - East Sussex - BN8 6JL - U.K.

Tel: +44(0)1273 405411

www.asl-control.co.uk

All rights reserved.

Information contained in this document is believed to be accurate, however no representation or warranty is given and Application Solutions (Safety and Security) Limited assumes no liability with respect to the accuracy of such information.

